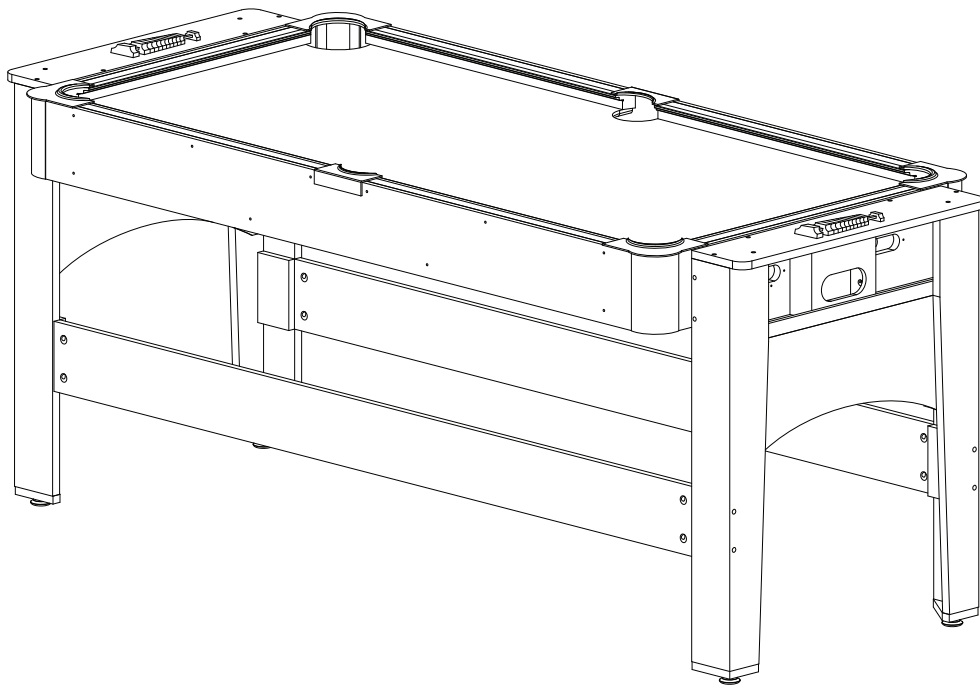




3 IN 1 GAME TABLE

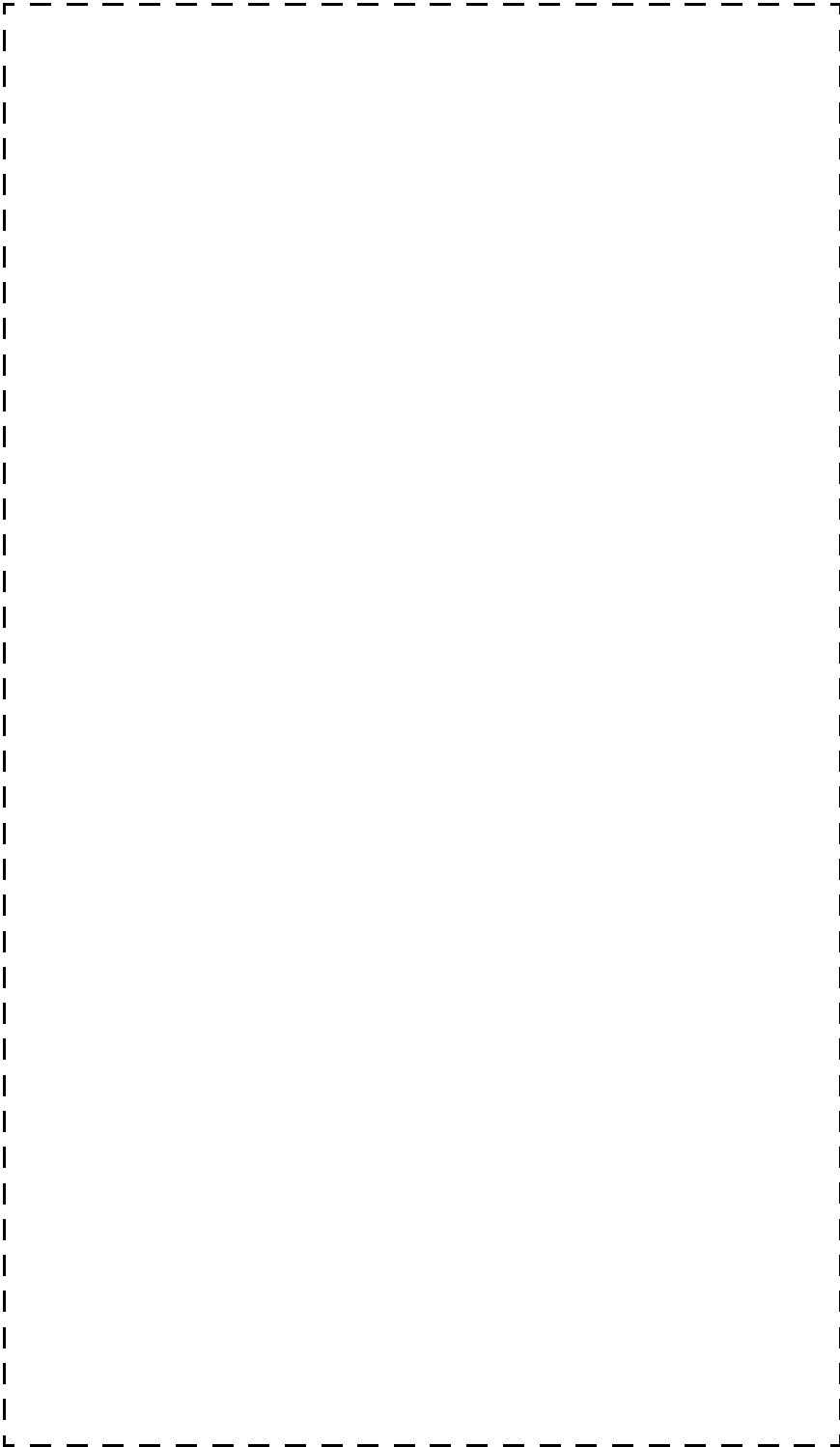


Replacement Parts

Order direct at www.gldproducts.com
or call our Customer Service department at
(800) 225-7593
8 am to 4:30 pm Central Standard Time

Staple your receipt here.

Important: A copy of your receipt will be needed to activate your warranty (see page 18).





Congratulations and THANK YOU for purchasing the 3 in 1 Game Table. You have chosen a product that should provide years of entertainment. To assist you with customer service and warranty claims, staple your receipt to the inside cover, then keep this manual in a safe place for future reference.

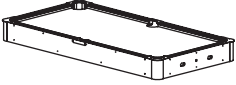

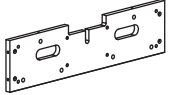
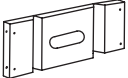

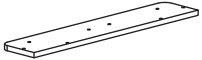

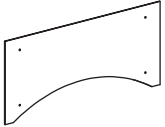
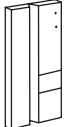
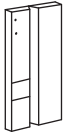



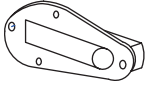
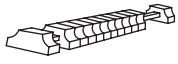
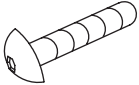
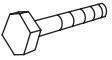
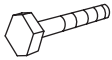

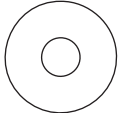


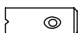
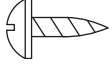
GLD Products

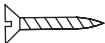
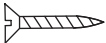
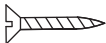



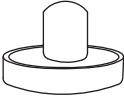


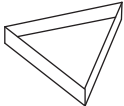
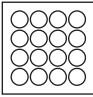

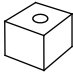




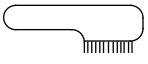
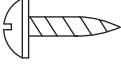
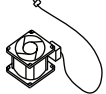
S84 W19093 Enterprise Drive
Muskego, WI 53150 USA
1-800-225-7593
Fax: 1-800-841-6944
Email: gld@gldmfg.com
Web: www.gldproducts.com

This manual may have been updated. For the latest manual visit the GLD Products website.

	<p>Place your package near the location where it will be used. Carefully unpack all components and verify you have all the correct pieces.</p> <p>If you notice missing or defective parts, please call us at: 1-800-225-7593</p>
---	--

	<p>Please read and understand all instructions before beginning assembly.</p> <p>This assembly will require 2 adults.</p> <p>This product is not for use by children without adult supervision.</p>
---	--

Part No./ Qty	Illustration/ Order Number	Part No./ Qty	Illustration/ Order Number	Part No./ Qty	Illustration/ Order Number
1 Qty. 1	 Cabinet Order No. 2-256	2 Qty. 1	 Allen Wrench Order No. 2-116	3 Qty. 2	 End Panel Order No. 2-257
4 Qty. 2	 Catcher Box Order No. 2-258	5 Qty. 2	 Ball Return Board Order No. 2-259	6 Qty. 2	 Top End Panel Order No. 2-260
7 Qty. 2	 Leg Brace Order No. 2-261	8 Qty. 2	 Leg Panel Order No. 2-262	9 Qty. 2	 Left Leg Order No. 2-263
10 Qty. 2	 Right Leg Order No. 2-264	11 Qty. 4	 Leg Base Order No. 2-265	12 Qty. 1	 Table Tennis Surface Order No. 2-267
13 Qty. 4	 Leg Leveler Order No. 2-268	14 Qty. 4	 Lock Pin Order No. 2-266	15 Qty. 2	 Slide Scorer Order No. 2-269
16 Qty. 8	 1/4" x 1-3/4" Allen Key Bolt Order No. 2-270	17 Qty. 8	 5/16" x 5-1/2" Hex Bolt Order No. 2-271	18 Qty. 1	 1/2" Hex Bolt Order No. 2-117
19 Qty. 1	 1/2" Washer Order No. 2-107	20 Qty. 1	 1/2" Plastic Washer Order No. 2-272	21 Qty. 8	 5/16" Washer Order No. 2-273
22 Qty. 8	 1/4" Barrel Nut Order No. 2-12	23 Qty. 8	 5/16" Barrel Nut Order No. 2-179	24 Qty. 10	 T4 x 1/2" Screw Order No. 2-31

<p>25</p>  <p>Qty. 44</p> <p>F4 x 2" Screw Order No. 2-274</p>	<p>26</p>  <p>Qty. 4</p> <p>F4 x 1" Screw Order No. 2-134</p>	<p>27</p>  <p>Qty. 16</p> <p>F3 x 1/2" Screw Order No. 4-124</p>
<p>28</p>  <p>Qty. 2</p> <p>Table Tennis Paddle Order No. 2-275</p>	<p>29</p>  <p>Qty. 2</p> <p>Table Tennis Ball Order No. 2-276</p>	<p>30</p>  <p>Qty. 1</p> <p>Table Tennis Net with Posts Order No. 2-277</p>
<p>31</p>  <p>Qty. 2</p> <p>Hockey Pusher Order No. 2-18</p>	<p>32</p>  <p>Qty. 2</p> <p>Hockey Felt Order No. 2-19</p>	<p>33</p>  <p>Qty. 2</p> <p>Hockey Puck Order No. 2-20</p>
<p>34</p>  <p>Qty. 1</p> <p>Triangle Order No. 2-278</p>	<p>35</p>  <p>Qty. 1</p> <p>Billiard Balls Order No. 2-279</p>	<p>36</p>  <p>Qty. 2</p> <p>Cue Stick Order No. 2-66</p>
<p>37</p>  <p>Qty. 2</p> <p>Chalk Order No. 2-24</p>	<p>38</p>  <p>Qty. 1</p> <p>Wrench Order No. 2-280</p>	<p>39</p>  <p>Qty. 12</p> <p>L Steel Bracket Order No. 2-281</p>
<p>40</p>  <p>Qty. 2</p> <p>Cue Holder Order No. 2-282</p>	<p>41</p>  <p>Qty. 1</p> <p>Storage Organizer Order No. 2-283</p>	<p>42</p>  <p>Qty. 1</p> <p>Brush Order No. 2-284</p>
<p>43</p>  <p>Qty. 24</p> <p>T4 x 5/8" Screw Order No. 3-224</p>	<p>44</p>  <p>Qty. 1</p> <p>Preassembled Fan Order No. 2-285</p>	

IF YOU HAVE A WARRANTY CLAIM, CALL US FIRST

Please see page 18.

GLD Products

Available 8 am to 4:30 pm Central Standard Time

S84 W19093 Enterprise Drive

Muskego, WI 53150 USA

1-800-225-7593

Fax: 1-800-841-6944

Email: gld@gldmfg.com

Web: www.gldproducts.com

For all claims, please have your receipt and item number when you call. The product item number can be found on the front cover.

If you are instructed to return the product for service, you are responsible for shipping the unit at your expense.

PRODUCT REGISTRATION

Important: The product registration form on page 19 and a copy of your receipt must be completed and returned within 10 days of purchase to validate your warranty.

Online registration is also available. Go to <http://gldproducts.com/warranty-information> or click on this link. Follow the online instructions.

Preparing for Assembly

- Be sure to unpack all of the parts included in this package. Check inside any tubes or sleeves. Save all packing material until the product is fully assembled and functional.
- Compare the parts in your package with the Parts Identifier description on page 4 and page 5.
- After unpacking large products, some disassembly may be required prior to beginning the assembly.

Tools Required

- Open End Wrench (#38)
- Allen Wrench (#2)
- Phillips Screwdriver (not included)
- Level (not included)
- Electric screwdriver may be helpful. **CAUTION:** You must set at LOW TORQUE and use extreme caution because you could overtighten the hardware, strip the screws, or damage the table.

Assembly Tips

Make sure you understand the following before you begin to assemble your game table.

1. READ THIS MANUAL all the way through before beginning assembly.
2. When installing parts that have more than one bolt, start ALL bolts in that part by hand before tightening anything.
3. Some drawings or images in this manual may not look exactly like your product.
4. You may need a second adult to assist with this assembly.

Note: Save all packing materials until the parts have been inspected and the table is assembled.

Unpack the Pieces

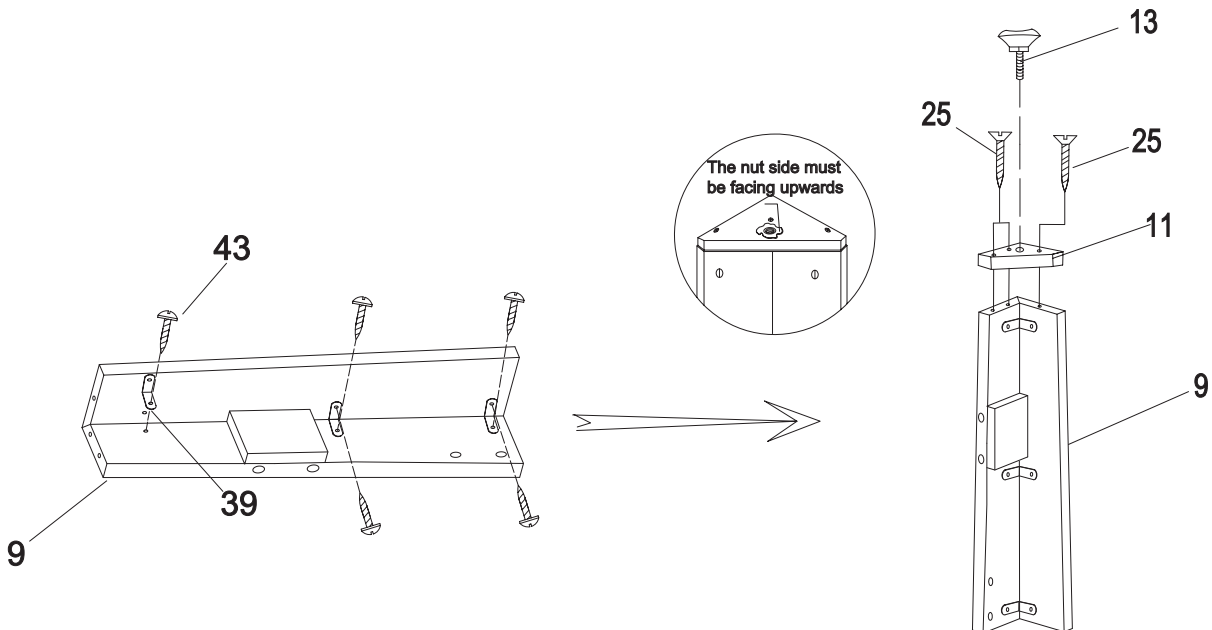
- Lay the box on a flat surface (floor). You may want this near your area of assembly.
- Unpack the boxes and part bags. Inspect and count the parts. The Parts Identifier page can be used to record your results.
- If any parts are damaged or missing, contact GLD Customer Service.
- Missing fasteners may be purchased at a hardware store using the descriptions on the Parts Identifier pages.

Games

This game table includes the equipment and game pieces for Air Hockey, Pool and Table Tennis. The rules for these games are not discussed in this manual.

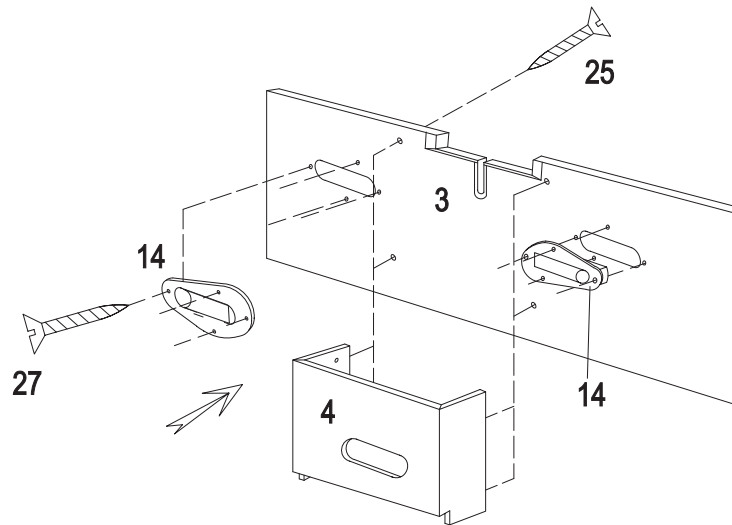
STEP 1 - ASSEMBLE THE LEGS

1. Select one of the leg pieces (#9 or #10) and lay it flat on the floor. Do not bend the hinge in the leg backwards. Damage to the outer surface will occur.
2. Position three of the “L” shaped steel brackets (#39) on one side of the leg. Use three screws (#43) to attach the brackets to the leg. Close (fold) the leg and use three screws (#43) to secure the brackets. Tighten the screws.
3. Place a leg base (#11) at the bottom and insert three screws (#25) into the holes. The pressed in nut must be facing out away from the leg.
4. Tighten the screws.
5. Screw a leg leveler (#13) half way into the leg base.
6. Repeat for the remaining three legs.



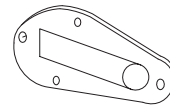
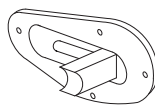
STEP 2 - ATTACH THE TABLE LOCKS AND CATCH BOX

1. Insert the table locks (#14) into the end panel (#3). Use four screws (#27) to secure each one.
2. Hold the catch box (#4) in position. Insert four screws (#25) from the back side of the end panel.
3. Tighten the screws.
4. Repeat for second end panel



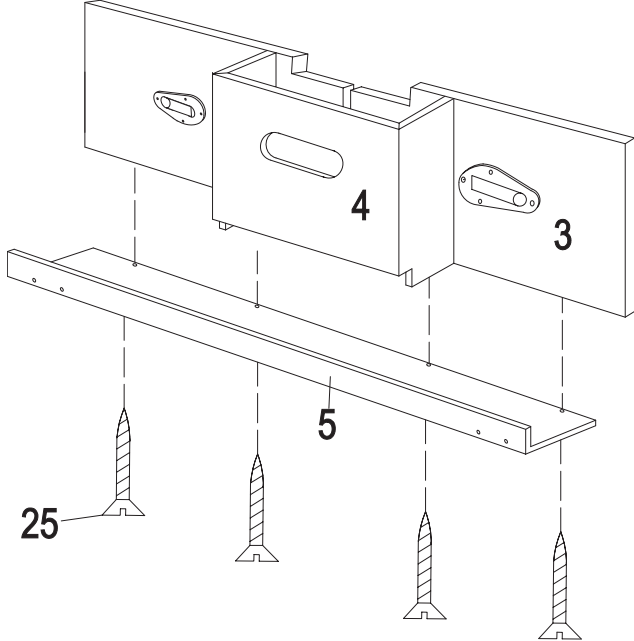
Open (unlocked)

Closed (locked)



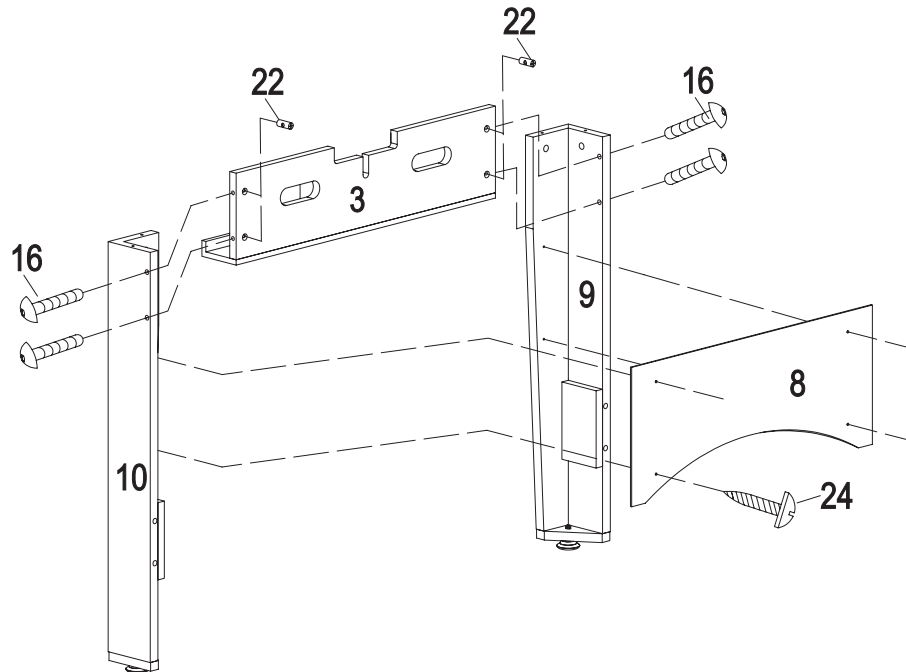
STEP 3 - ASSEMBLE BALL RETURN BOARD

- 1. Attach the ball return boards (#5) to the bottom of the end panels (#3). Use four screws (#25) per ball return board.
- 2. Tighten the screws.



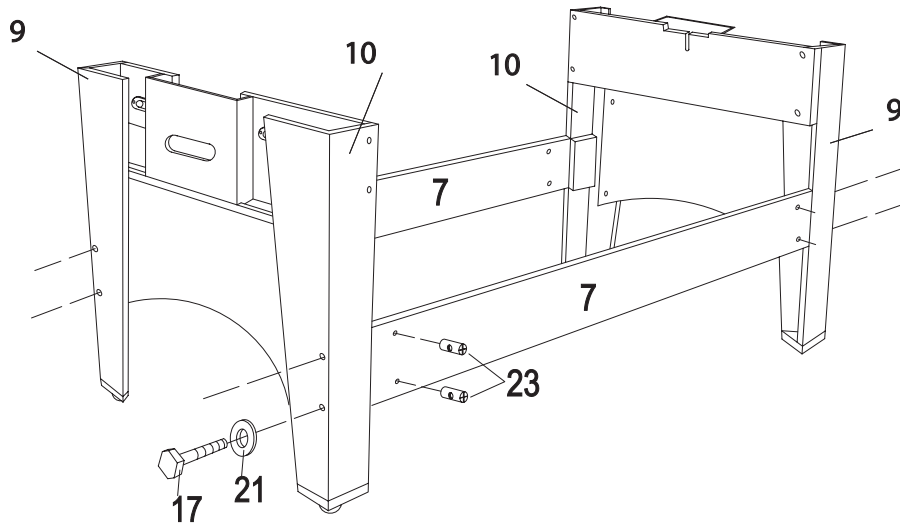
STEP 4 - ASSEMBLE LEGS TO END PANELS

1. Insert four barrel nuts (#22) into the left and right holes of an end panel (#3). Attach a left leg (#9) and a right leg (#10) to an end panel (#3) using two bolts (#16) per leg.
2. Attach a leg panel (#8) to the legs and secure it using four screws (#24) per leg panel.
3. Repeat steps 1 and 2 to assemble the other apron and legs.



STEP 5 - ATTACH LEG BRACES

1. Insert four barrel nuts (#23) into the holes of the leg braces (#7) as shown. Attach the leg braces (#7) between the assembled legs using four washers (#21) and four bolts (#17) per leg brace.



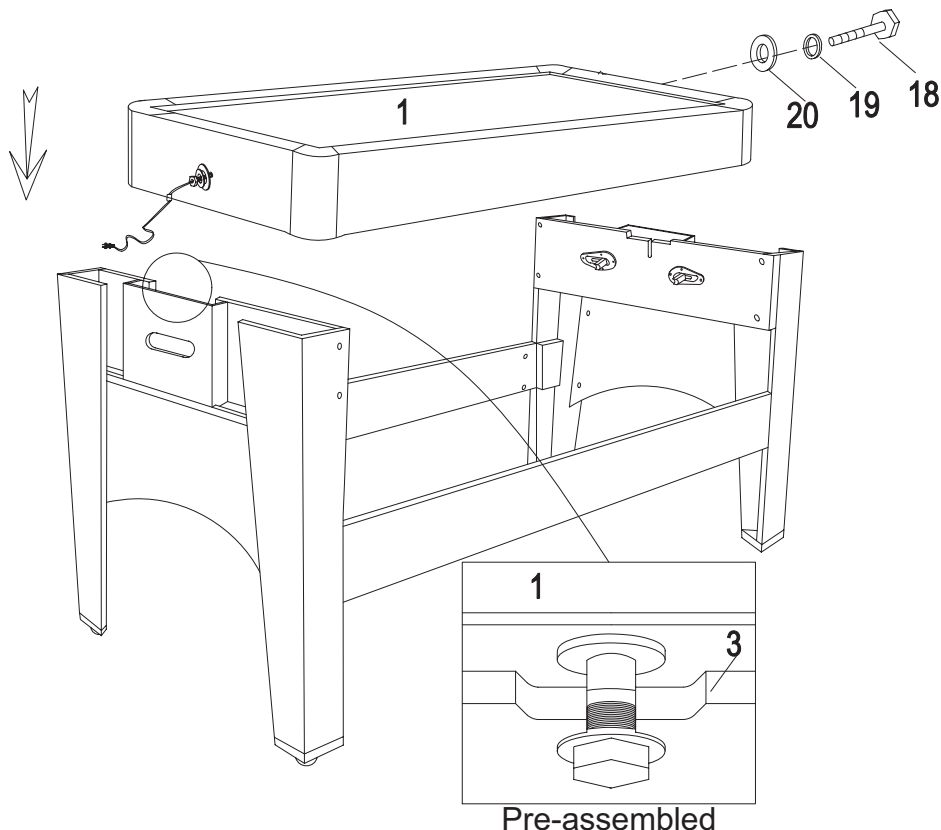
STEP 6 - ASSEMBLE CABINET (TABLE TOP) TO LEGS

All bolts and screws from previous steps must be tight. Two adults are recommended for this step.

1. Engage all four table locks.
2. Locate the large bolt (#18). Place a washer (#19) onto the bolt.
3. Place a second washer (#20) onto the bolt.
4. Finger start the bolt into the end of the cabinet (#1).
5. Place the cabinet into position. The bolts will drop into the slots at each end. The smaller washer must be outside the end panel and the plastic washer must be between the end panel and the cabinet.

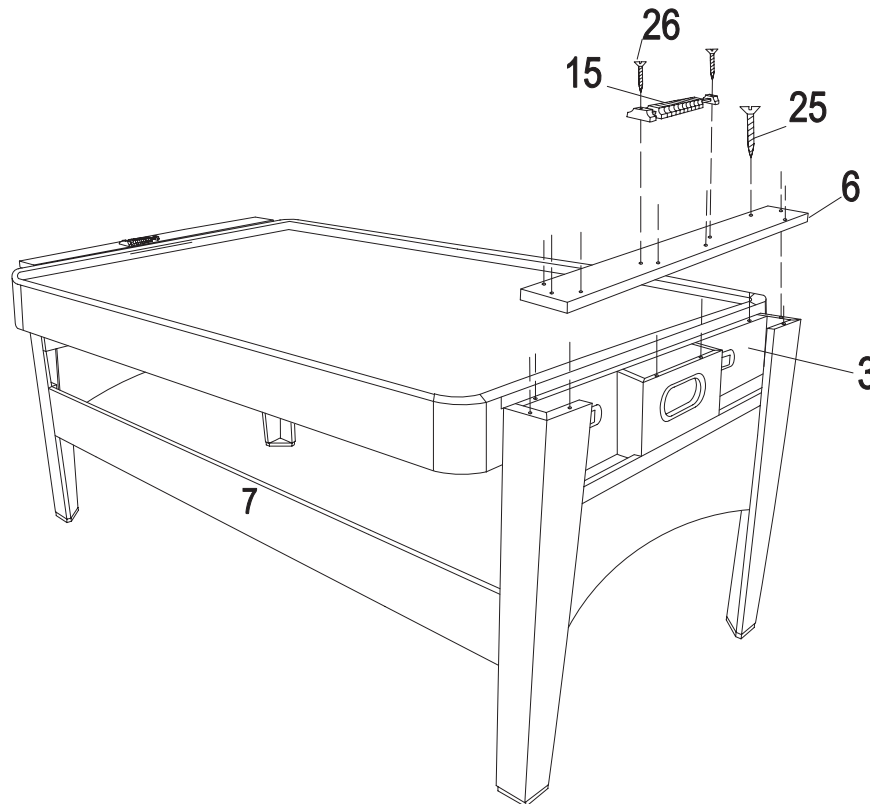
NOTE: The electrical cord must be loose.

6. Open the table locks. Tighten both bolts until they are snug and the cabinet can rotate smoothly.



STEP 7 - ASSEMBLE TOP SIDE PANELS AND SLIDE SCORERS

1. Attach the two top end panels (#6) to the top of the end panels (#3) using eight screws (#25) for each top end panel.
2. Attach the slide scorers (#15) to the top end panels (#6) using two screws (#26).



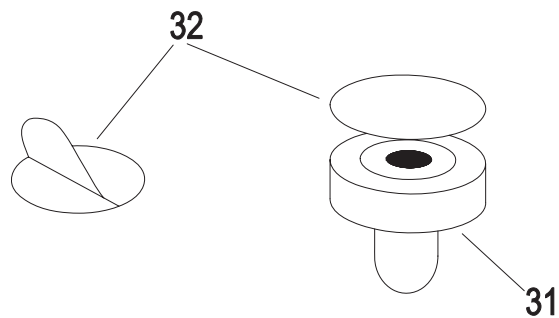
STEP 8 - ADJUST THE LEVELERS

1. With the help of another person, lock the table in position. Turn each leg leveler until the table rests level.
2. Check with a carpenters level placed cross-wise and length wise on the table top.
3. Re-adjust leg levelers as necessary.

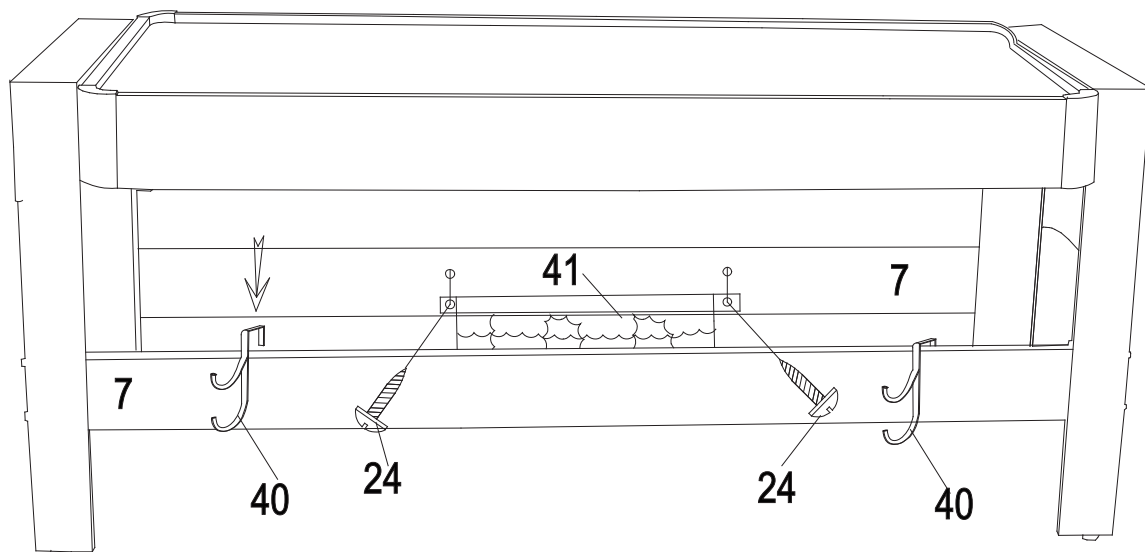
NOTE: Rolling a billiard ball slowly on the game table surface will help to determine level.

STEP 9 - ASSEMBLE PUSHERS

1. Peel paper from one of the hockey felt pieces (#32).
2. Attach the felt to the bottom of the pusher (#31).

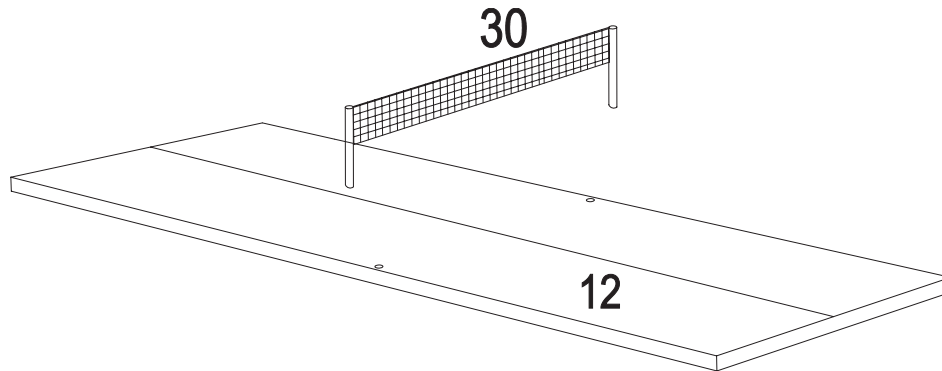
**STEP 10 - ACCESSORIES**

1. Clip the cue holders (#40) in place over a leg brace.
2. Secure the storage organizer (#41) to a leg brace using two screws (#24).



STEP 11 - TABLE TENNIS NET WITH POSTS ASSEMBLY

1. When you want to play table tennis, put the tennis surface (#12) carefully on top of the game table.
2. Insert the table tennis net with posts (#30) into the holes of the table tennis surface (#12).

**To rotate the table:**

CAUTION: This should be performed by an adult. The rotating table may pinch body parts.

- Before you rotate the table, remove the pool balls.
- Pull out two table locks on one end.
- On the other end, pull out the two table locks.
- Slowly rotate the table.
- Push in the table locks.

If the fan does not go on:

- Unplug from electrical outlet.
- The fan is located between the two table tops.
- Inspect wiring for proper connection.

If the fan works but the table has dead spots:

- Use a small drill bit and clear the holes by hand. DO NOT use an electric drill. Manually push the drill bit into the holes to clear.
- Polish the air hockey table by spraying a furniture polish onto a rag and wipe onto the table. Do not spray directly onto the table top.

Care and Use of your Table

- This product is intended for INDOOR use only.
- DO NOT sit, climb, or lean on the table.
- DO NOT drag the table when moving it. This will damage the legs.
- Keep your table covered. The pool table playing surface can be brushed to keep clean.
- To clean the hard surfaces spray a cloth with a mild cleaner and wipe.
- Pucks that fly off the table may have chipped edges. Inspect the puck and replace if needed.

90-DAY LIMITED WARRANTY

The Manufacturer warrants to the original retail purchaser that this product is free from defects in material and workmanship under normal use and conditions for a period of ninety (90) days from the date of original purchase. The Manufacturer's liability is limited to the repair or replacement, at its option, of any defective product and shall not include any liability for indirect, incidental or consequential damages of any kind. Should this product become defective due to material or workmanship within the warranty period, contact our Customer Service Department. This warranty is not transferable and does not cover normal wear and tear or damage caused by improper usage, negligence, misuse, abuse, transportation damage, acts of nature, or accident (including failure to follow the instructions in this manual). It does not cover expendable items such as batteries, light bulbs, fuses, accessories, cosmetic parts and other items that wear out due to normal usage, including felt covered areas of the playing surface. This warranty is also void if the product is disassembled and reassembled, damaged, modified from its original state, or used for other than indoor personal residential use (no commercial or rental applications).

This warranty gives you specific legal rights, and you may have other rights which vary from state to state.

IF YOU HAVE A WARRANTY CLAIM, CALL US FIRST (8 - 4:30 CST)

Please have your receipt and item number (found on the front cover) when you call.

GLD Products

S84 W19093 Enterprise Drive

Muskego, WI 53150 USA

1-800-225-7593

Fax: 1-800-841-6944

Email: gld@gldmfg.com

Web: www.gldproducts.com

If you are instructed to return the product for service, you are responsible for shipping the unit at your expense to the above address in packaging that will protect against further damage. All warranty or repair requests require a Return Authorization Number prior to returning the item.

PRODUCT REGISTRATION

Important: The product registration form on page 19 must be completed and returned along with a copy of your receipt within 10 days of purchase to validate your warranty.

Online registration is also available. Go to <http://gldproducts.com/warranty-information> or click on this link. Follow the online instructions.

REGISTER YOUR PRODUCT

Place postage here

Complete this form, include a copy of your receipt, fold, tape (do not staple) and return within 10 days of purchase. This protects your warranty and will help us develop new products!

Cut here.

GLD Products
Warranty Department
S84 W19093 Enterprise Drive
Muskego, WI 53150 USA

Fold here second.



P R O D U C T S

www.gldproducts.com

GAME TABLES	HOME CASINO
GAMES AND ACCESSORIES	BILLIARD CUES
BILLIARD ACCESSORIES	DARTBOARDS
SOFT-TIP DARTS	STEEL-TIP DARTS
FLIGHTS AND SHAFTS	DART CASES AND ACCESSORIES

Fold here first.

Name	Date of Purchase
Address	Phone-Day
City	Phone-Evening
State Zip	Email
Purchase Price:	Item: 64-1049 3 in 1 Game Table
Store Name:	

Remember to attach a copy of your receipt.

This page is intentionally blank.

Mail To: GLD Products
 S84 W19093 Enterprise Drive
 Muskego, WI 53150 USA
 1-800-225-7593 • FAX 800-841-6944
 Email: gld@gldmfg.com
 Web Site: www.gldproducts.com

3 in 1 Game Table

Item 64-1049

Parts Re-Order Form

Name		Date
Address		Phone-Day
City		Phone-Evening
State	Zip	Email

Order No.	Description	Unit Price (each)	Qty.	Total Amount
2-256	Cabinet	250.00		
2-116	Allen Wrench	1.00		
2-257	End Panel	15.00		
2-258	Catcher Box	15.00		
2-259	Ball Return Board	10.00		
2-260	Top End Panel	10.00		
2-261	Leg Brace	10.00		
2-262	Leg Panel	15.00		
2-263	Left Leg	10.00		
2-264	Right Leg	10.00		
2-265	Leg Base	5.00		
2-267	Table Tennis Surface	30.00		
2-268	Leg Leveler	10.00		
2-266	Lock Pin	10.00		
2-269	Slide Scorer	10.00		
2-270	1/4" x 1-3/4" Allen Key Bolt	2.00		
2-271	5/16" x 5-1/2" Hex Bolt	2.00		
2-117	1/2" Hex Bolt	1.00		
2-107	1/2" Washer	0.25		
2-272	1/2" Plastic Washer	0.25		
2-273	5/16" Washer	0.25		
2-12	1/4" Barrel Nut	0.25		
2-179	5/16" Barrel Nut	0.25		
2-31	T4 x 1/2" Screw	0.20		
2-274	F4 x 2" Screw	0.20		
2-134	F4 x 1" Screw	0.20		
4-124	F3 x 1/2" Screw	0.20		
2-275	Table Tennis Paddle	6.00		
2-276	Table Tennis Ball	1.00		
2-277	Table Tennis Net with Posts	15.00		
2-18	Hockey Pusher	6.00		
2-19	Hockey Felt	1.00		
2-20	Hockey Puck	1.50		
2-278	Triangle	5.00		
2-279	Billiard Balls	20.00		
2-66	Cue Stick	12.00		
2-24	Chalk	2.00		
2-280	Wrench	1.00		
2-281	L Steel Bracket	5.00		

3-224	T4 x 5/8" Screw	0.20		
2-282	Cue Holder	10.00		
2-283	Storage Organizer	10.00		
2-289	Brush	5.00		
2-285	Preassembled Fan	15.00		
		Subtotal		
Shipping will be added. If paid by Check or Money Order, call for quote.		S/H		
5.1% Waukesha Wisconsin tax will apply (subject to change).		Tax		
		Total		

Method of Payment

Check or Money Order
 Credit Card
 Visa MasterCard Discover American Express
 Card # _____
 Security Code # _____ Billing Address Zip code _____
 Signature _____ Exp. Date _____

Shipping Address

Name _____
 Address _____ Phone _____
 City _____ State _____ Zip _____

GLD[®]

P R O D U C T S

www.gldproducts.com

GAME TABLES

HOME CASINO

GAMES AND ACCESSORIES

BILLIARD CUES

BILLIARD ACCESSORIES

DARTBOARDS

SOFT-TIP DARTS

STEEL-TIP DARTS

FLIGHTS AND SHAFTS

DART CASES AND ACCESSORIES



PROUD MANUFACTURER OF



Yesterday's games for today's families!
by GLD Products



S84 W19093 Enterprise Drive • Muskego, WI 53150 USA
262.679.8730 or 1.800.225.7593 tele
262.679.8738 or 1.800.841.6944 fax
262.679.8739 international fax
Email: gld@gldmfg.com
www.gldproducts.com